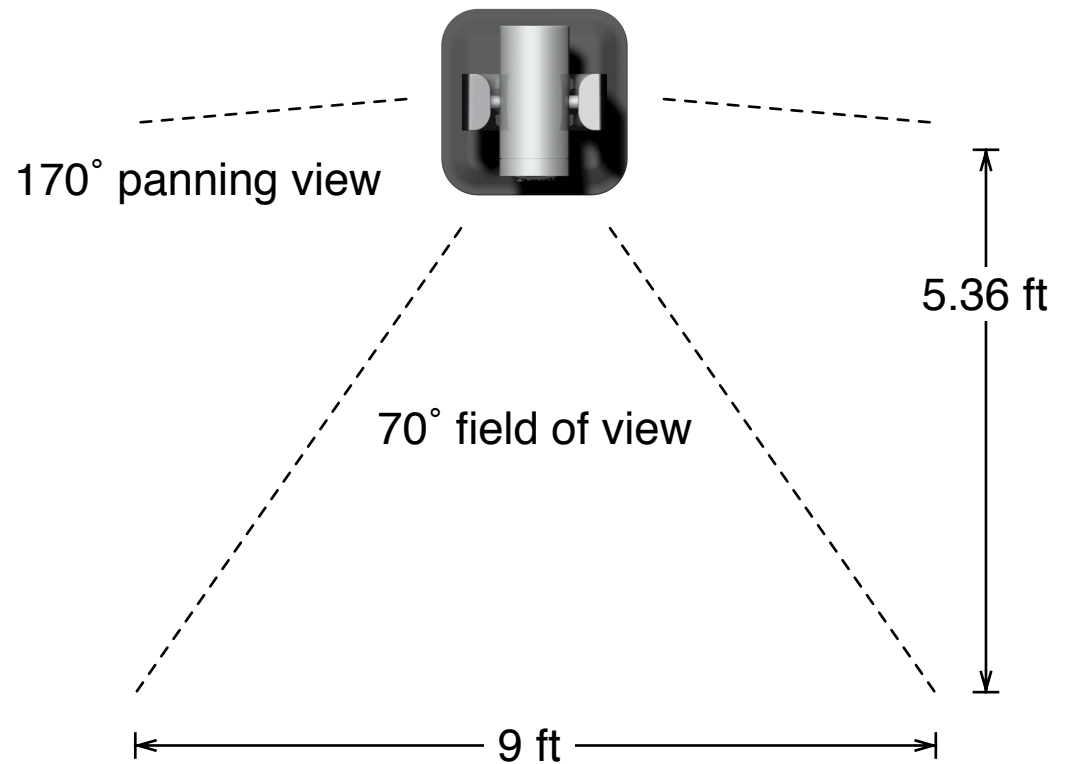
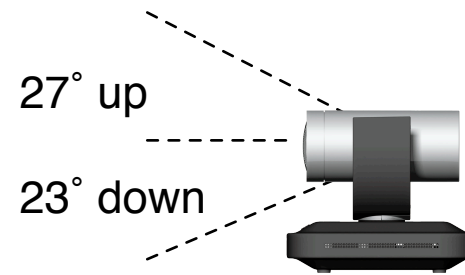
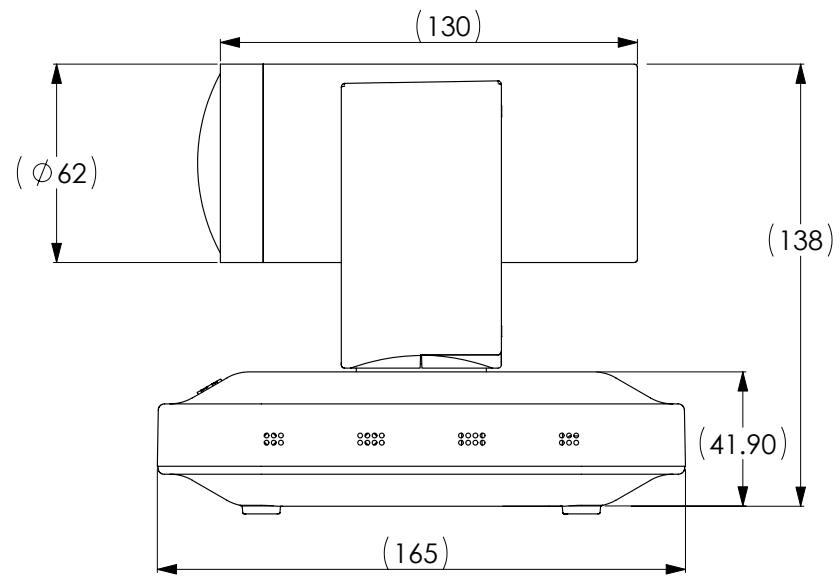
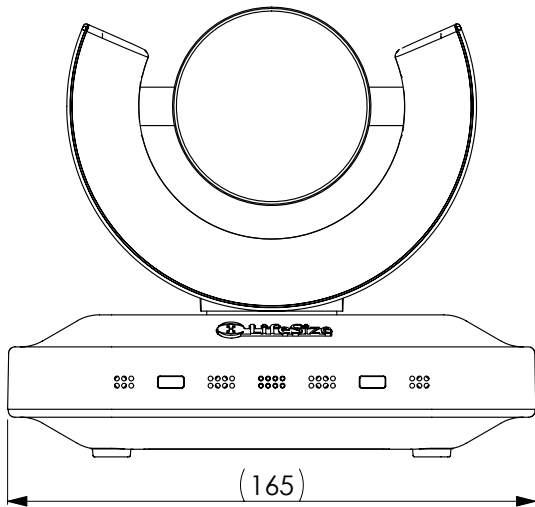
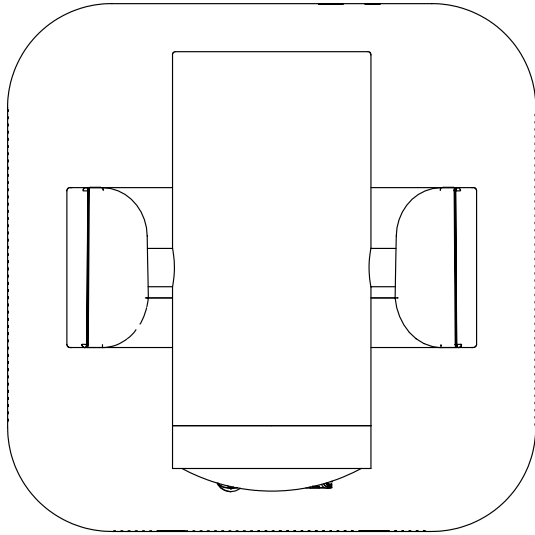


# Camera Specifications

Width	<b>16cm</b>
Depth	<b>16cm</b>
Height	<b>16cm</b>
Weight	<b>1.45 kg</b>
<b>Camera</b>	
Horizontal Resolution (TV Lines)	<b>1280</b>
Digital Zoom	<b>None</b>
Exposure Range	<b>150 Lux to Daylight</b>
<b>Features</b>	
Tripod mount	Yes
Body Colour	Black
Self check-up	Yes
Preset	No
Control mode	
shutter Speed	30
<b>Image Sensor</b>	
Type	<b>Micron</b>
Lens Construction	<b>12 element zoom</b>
Type	<b>Micron</b>
Focal Length	<b>3 mil to 21 mil</b>
Focus Adjustment	<b>Yes</b>
Min Focus Range	<b>2 feet to infinite</b>
SNR	<b>35</b>
<b>Expansion/Connectivity</b>	
Interfaces	1*IEEE 1394
<b>Environmental Parameters</b>	
Min Operating Temperature	140 C
Operating Temperature	-10
<b>Resolution</b>	
Max resolution	1280x720
Low resolution	Less than CIF
Widescreen/16:9 mode	yes
Scan Rates	30fps
Effective pixels	921600
<b>Sensor</b>	
Sensor Size	1280x 4.2 microns x 720x4.2Microns
Sensor type	CMOS
Colour Filter array	Bayer
Sensor manufacturer	Micron
White Balance	Yes
Low Light Performance	Yes
<b>PTZ</b>	
Wide angle	70°
PTZ	Yes
Zoom Wide(W)	70°
Zoom Tele(T)	17.5
Digital Zoom	none
optics Zoom	4x
Auto Focus	Yes
Manual Focus	No
Auto Focus type	Hillclimber
Aperture priority	Fixed aperture



$$\frac{\text{width of shot}}{2} = \text{distance from camera} \cdot \tan 55^\circ$$



CAMERA