



LifeSize® Camera™ Specifications

Camera

Resolution	1280x720
Frame Rate	30 fps @ 720p
Shutter Speed	1/30
Format	16:9
Illumination	150 lux to daylight
Exposure	Auto/EV adjustment
White Balance	Auto/Manual
Focus	Auto, Passive Contrast
Focus Range	24" to Infinite

Lens and Image Sensor

Lens Construction	12 element zoom
Aperture	F/3.0 – F/3.5
Distortion	Less than 4.7%
Sensor Type	CMOS
Effective Pixels	921,600
SNR	35 dB

Pan/Tilt/Zoom

Pan angle	+/- 80°
Tilt angle	+/- 50°
Optical Zoom	4.0x
Horizontal Field of View	15.2° to 70°
Aperture Priority	Fixed

Features

Tripod mount	Standard ¼-20 tripod mount
Self Check-up	yes
Presets	10

Interface

Cables	1 x HD Camera Port (720p) 1 x 7.5M (25 ft) supplied 1 x 15M (50 ft) optional
---------------	--

Power Supply

	Universal input AC/DC provided 100-240VAC 50/60HZ 20w typical, 46w maximum
--	--

Lens Cap

Included

Overall Dimensions

Width	160mm (6.3")
Depth	160mm (6.3")
Height	138mm (5.4")
Shipping Weight	1.45 kg (3.2 lbs)

Environmental Parameters

Operating temperature:	0°C (32°F) to 40°C (104°F)
Operating Humidity:	15% to 85%, non-condensing
Storage temperature:	-20°C (-4°F) to 60°C (140°F)
Storage humidity:	10% to 90%, non-condensing

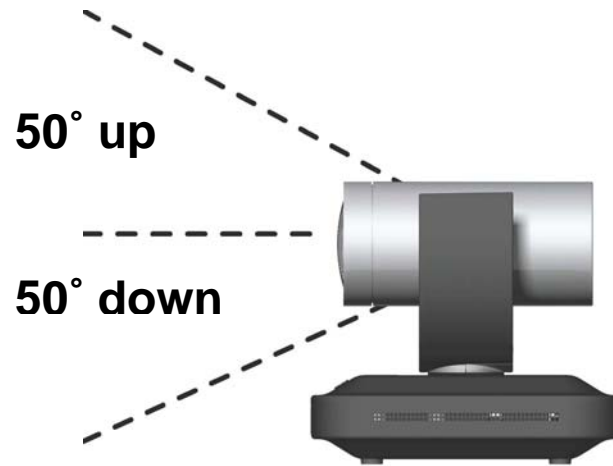


LifeSize Camera

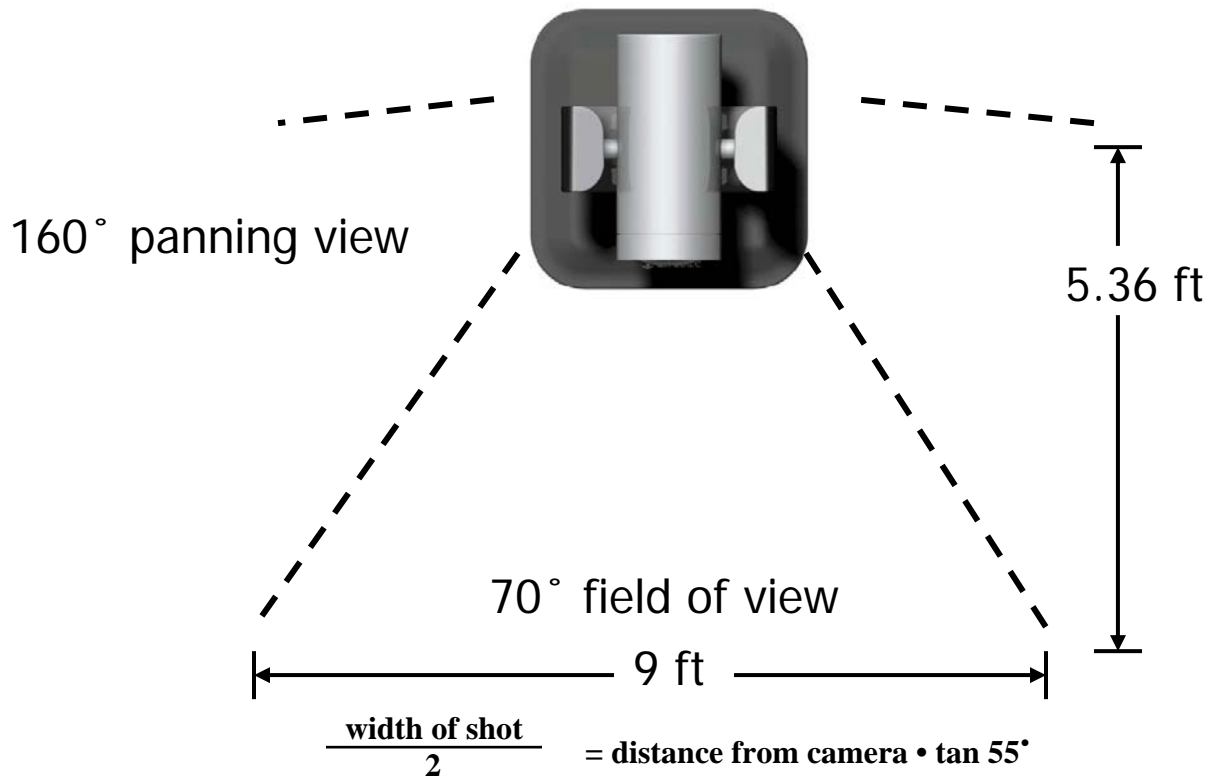


LifeSize Camera combined with LifeSize Room

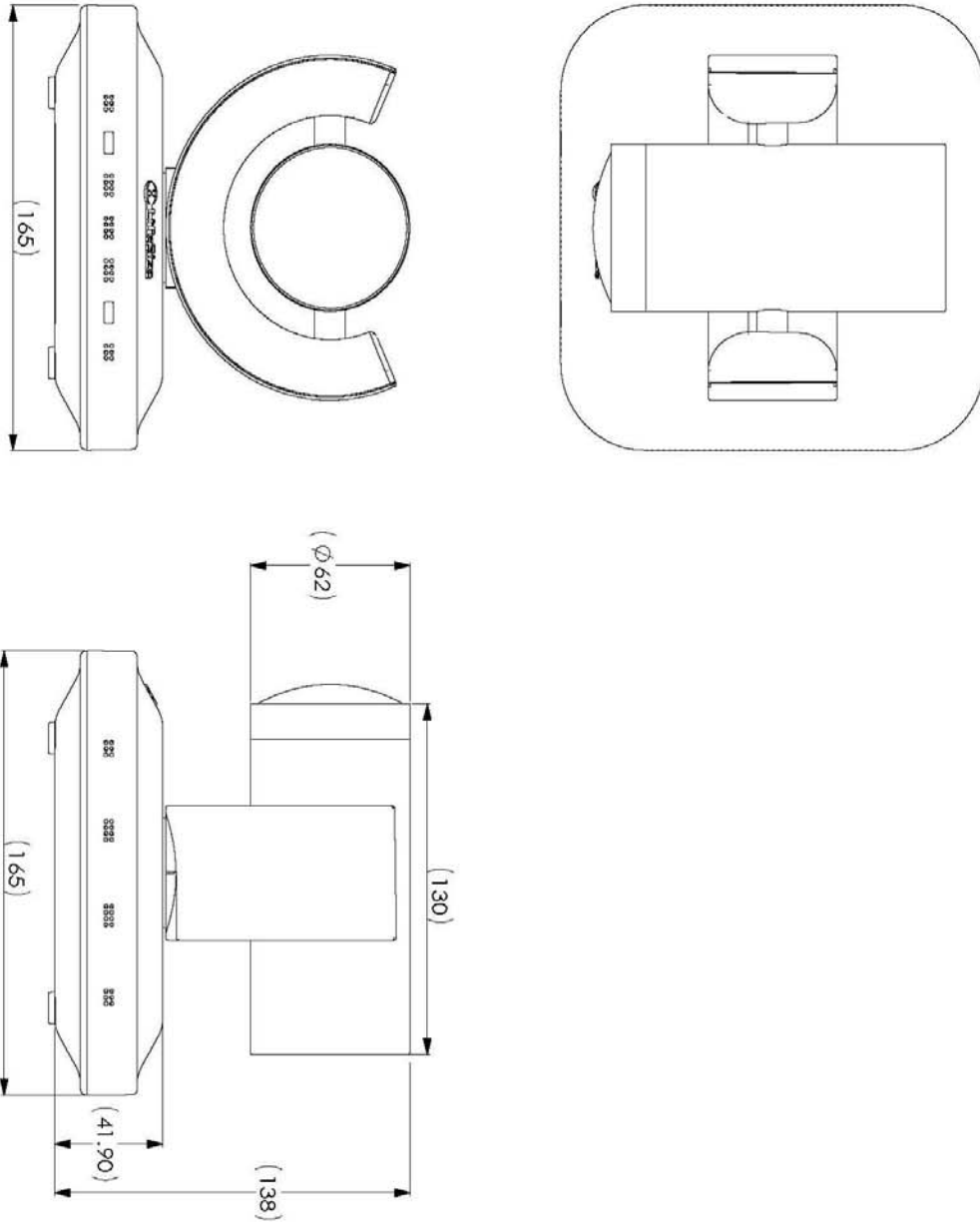
Tilt Range



Pan Range



Dimensions



Corporate Headquarters
901 S. Mopac Expressway
Building 3, Suite 300
Austin, Texas 78746 USA

Phone: +1 512 347 9300
Fax: +1 512 347 9301
Email: info@lifesize.com
www.lifesize.com

EMEA:
LifeSize Communications
Toll-Free Europe
008000 99 09 799

APAC:
LifeSize Communications
Hong Kong
Phone: +852 8239 3695